

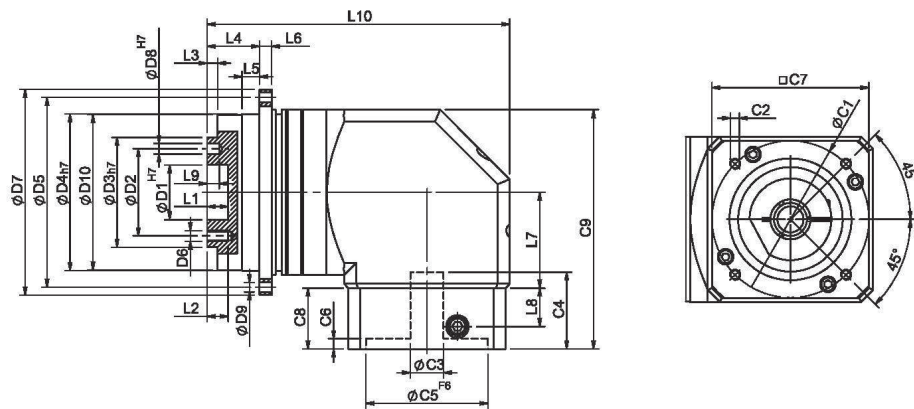


FICDIBA (Recinto Ferial Gipuzkoa)
AVDA. IPARRALDE, 43 - ROOM 3
20302 IRUN-GIPUZKOA (SPAIN)

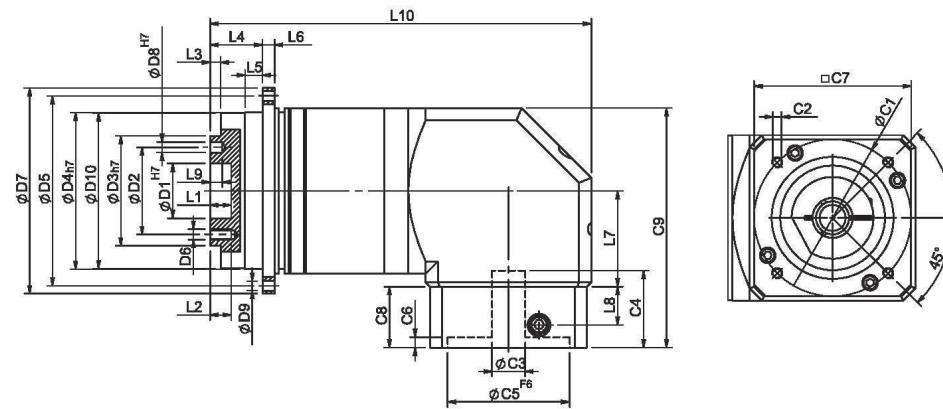
☎ 00 34 646 211965
✉ RCC@RCCINDUSTRIAL.COM
🌐 RCCINDUSTRIAL

INDUSTRIAL SOLUTIONS WWW.RCCINDUSTRIAL.COM

PHFR Single Stage Dimensions PHFR單段外型尺寸圖



PHFR Double Stage Dimensions-1 PHFR雙段外型尺寸圖-1



Specifications 規格

Unit:mm

尺寸 Dimensions	PHFR42	PHFR60	PHFR90	PHFR115	PHFR142	PHFR200
D1 _{h7}	-	-	31.5	-	-	-
D2	-	-	50	-	-	-
D3 _{h7}	-	-	63	-	-	-
D4 _{h7}	-	-	90	-	-	-
D5	-	-	109	-	-	-
D6	-	-	M6x1.0P	-	-	-
D7	-	-	118	-	-	-
D8 _{h7}	-	-	6	-	-	-
D9	-	-	5.5	-	-	-
D10	-	-	89.2	-	-	-
L1	-	-	12	-	-	-
L2	-	-	12	-	-	-
L3	-	-	6	-	-	-
L4	-	-	30	-	-	-
L5	-	-	10	-	-	-
L6	-	-	7	-	-	-
L7	-	-	55	-	-	-
L8	-	-	22	-	-	-
L9	-	-	7	-	-	-
L10	-	-	173.6	-	-	-
C1 ²	-	-	90	-	-	-
C2 ²	-	-	M6x1.0P	-	-	-
C3 ²	-	-	≤19/≤24	-	-	-
C4 ²	-	-	44	-	-	-
C5 ² _{F6}	-	-	70	-	-	-
C6 ²	-	-	5	-	-	-
C7 ²	-	-	90	-	-	-
C8 ²	-	-	35	-	-	-
C9 ²	-	-	137.5	-	-	-

★ C1~C9是公製標準馬達連接板尺寸,請依所選用的馬達決定。
★ C1~C9 are motor specific dimensions(metric std shown).
Size may vary according to motor flange.
★ 本公司有權針對以上數據規格進行設計變更不先行告知。
★ Specification subject to change without notice.

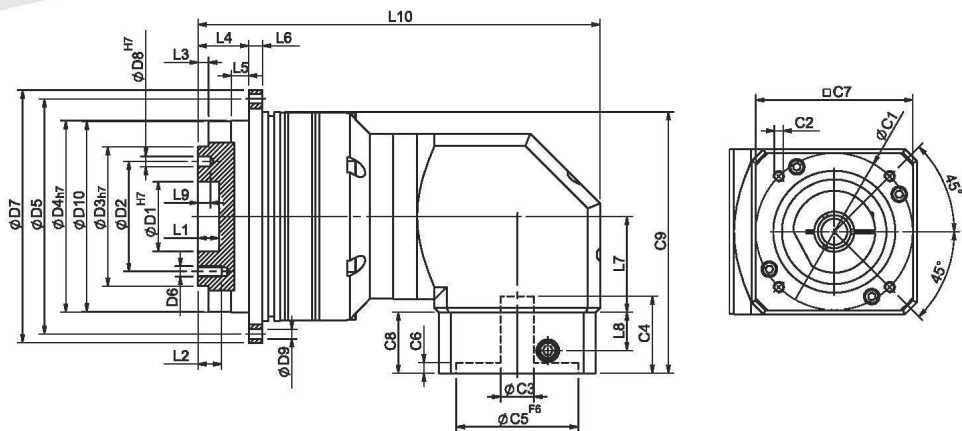
Specifications 規格

Unit:mm

尺寸 Dimensions	PHFR42	PHFR60	PHFR90	PHFR115	PHFR142	PHFR200
D1 _{h7}	-	-	31.5	-	-	-
D2	-	-	50	-	-	-
D3 _{h7}	-	-	63	-	-	-
D4 _{h7}	-	-	90	-	-	-
D5	-	-	109	-	-	-
D6	-	-	M6x1.0P	-	-	-
D7	-	-	118	-	-	-
D8 _{h7}	-	-	6	-	-	-
D9	-	-	5.5	-	-	-
D10	-	-	89.2	-	-	-
L1	-	-	12	-	-	-
L2	-	-	12	-	-	-
L3	-	-	6	-	-	-
L4	-	-	30	-	-	-
L5	-	-	10	-	-	-
L6	-	-	7	-	-	-
L7	-	-	55	-	-	-
L8	-	-	22	-	-	-
L9	-	-	7	-	-	-
L10	-	-	218.6	-	-	-
C1 ²	-	-	90	-	-	-
C2 ²	-	-	M6x1.0P	-	-	-
C3 ²	-	-	≤19/≤24	-	-	-
C4 ²	-	-	44	-	-	-
C5 ² _{F6}	-	-	70	-	-	-
C6 ²	-	-	5	-	-	-
C7 ²	-	-	90	-	-	-
C8 ²	-	-	35	-	-	-
C9 ²	-	-	137.5	-	-	-

★ C1~C9是公製標準馬達連接板尺寸,請依所選用的馬達決定。
★ C1~C9 are motor specific dimensions(metric std shown).
Size may vary according to motor flange.
★ 本公司有權針對以上數據規格進行設計變更不先行告知。
★ Specification subject to change without notice.

PHFR Double Stage Dimensions-2 PHFR雙段外型尺寸圖-2



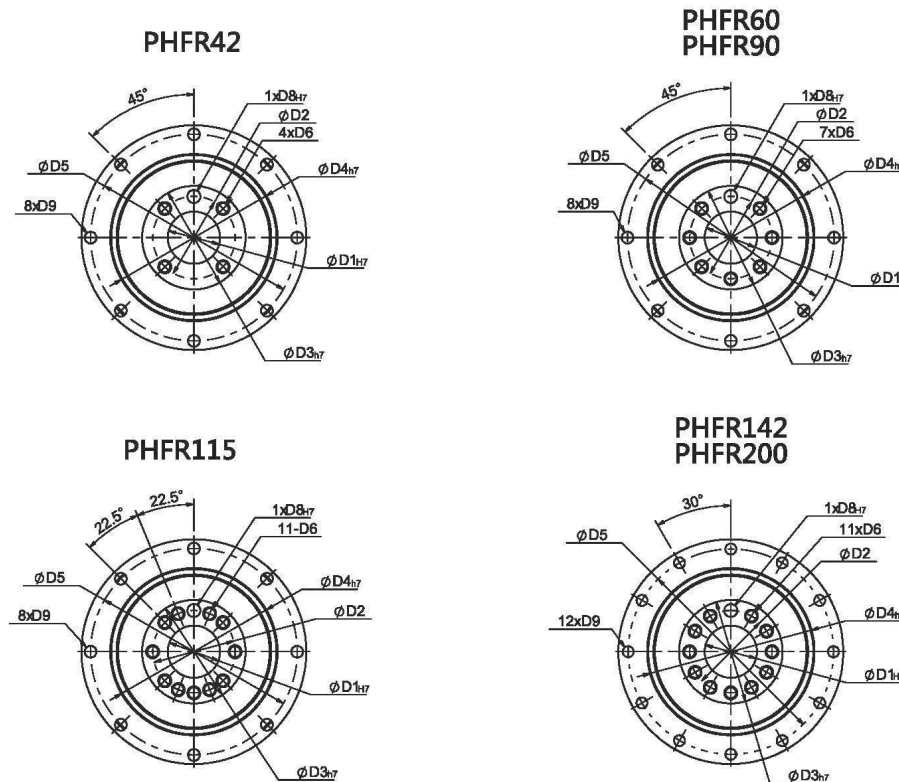
Specifications 規格

Unit:mm

尺寸 Dimensions	PHFR60T	PHFR90T	PHFR115T	PHFR142T	PHFR200T	PHFR255T
D1 h7	-	-	40	-	-	-
D2	-	-	63	-	-	-
D3 h7	-	-	80	-	-	-
D4 h7	-	-	110	-	-	-
D5	-	-	135	-	-	-
D6	-	-	M6x1.0P	-	-	-
D7	-	-	145	-	-	-
D8 h7	-	-	6	-	-	-
D9	-	-	5.5	-	-	-
D10	-	-	109.2	-	-	-
L1	-	-	12	-	-	-
L2	-	-	13.5	-	-	-
L3	-	-	6	-	-	-
L4	-	-	29	-	-	-
L5	-	-	10	-	-	-
L6	-	-	8	-	-	-
L7	-	-	55	-	-	-
L8	-	-	22	-	-	-
L9	-	-	7	-	-	-
L10	-	-	230.6	-	-	-
C1 ²	-	-	90	-	-	-
C2 ²	-	-	M6x1.0P	-	-	-
C3 ²	-	-	≤19/≤24	-	-	-
C4 ²	-	-	44	-	-	-
C5 ² F6	-	-	70	-	-	-
C6 ²	-	-	5	-	-	-
C7 ²	-	-	90	-	-	-
C8 ²	-	-	35	-	-	-
C9 ²	-	-	150	-	-	-

* C1~C9是公製標準馬達連接板尺寸,請依所選用的馬達決定。 * C1~C9 are motor specific dimensions(metric std shown).
 * 本公司有權針對以上數據規格進行設計變更不先行告知。 * Size may vary according to motor flange.
 * Specification subject to change without notice.

PHFR Flange Dimensions PHFR法蘭面尺寸圖



Specifications 規格

Unit:mm

尺寸 Dimensions	PHFR42	PHFR60	PHFR90	PHFR115	PHFR142	PHFR200
D1 h7	12	20	31.5	40	50	80
D2	20	31.5	50	63	80	125
D3 h7	28	40	63	80	100	160
D4 h7	47	64	90	110	140	200
D5	67	79	109	135	168	233
D6	M3x0.5P	M5x0.8P	M6x1.0P	M6x1.0P	M8x1.25P	M10x1.5P
D8 h7	3	5	6	6	8	10
D9	3.4	4.5	5.5	5.5	6.6	9

* 本公司有權針對以上數據規格進行設計變更不先行告知。 * Specification subject to change without notice.